

Perta



Colour included
in the price



Perta 1760 x 600
colour: chrom

2 x Angled lockshield valve, chrome
SLIM thermostatic head, chrome
Integrated pipe-masking set, chrome



Colour included in the price

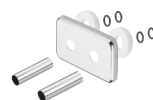
design: *Terma*

Connections:



We recommend:

Integrated pipe-masking set



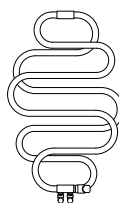
Zinc primer



Available sizes:



960 x 500
↓ ↔



960 x 600



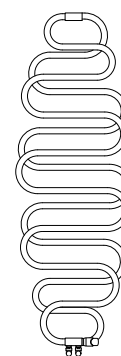
1360 x 500



1360 x 600



1760 x 500



1760 x 600

Specifications:

Working pressure: 1,0 MPa Maximum operating temperature: 95°C

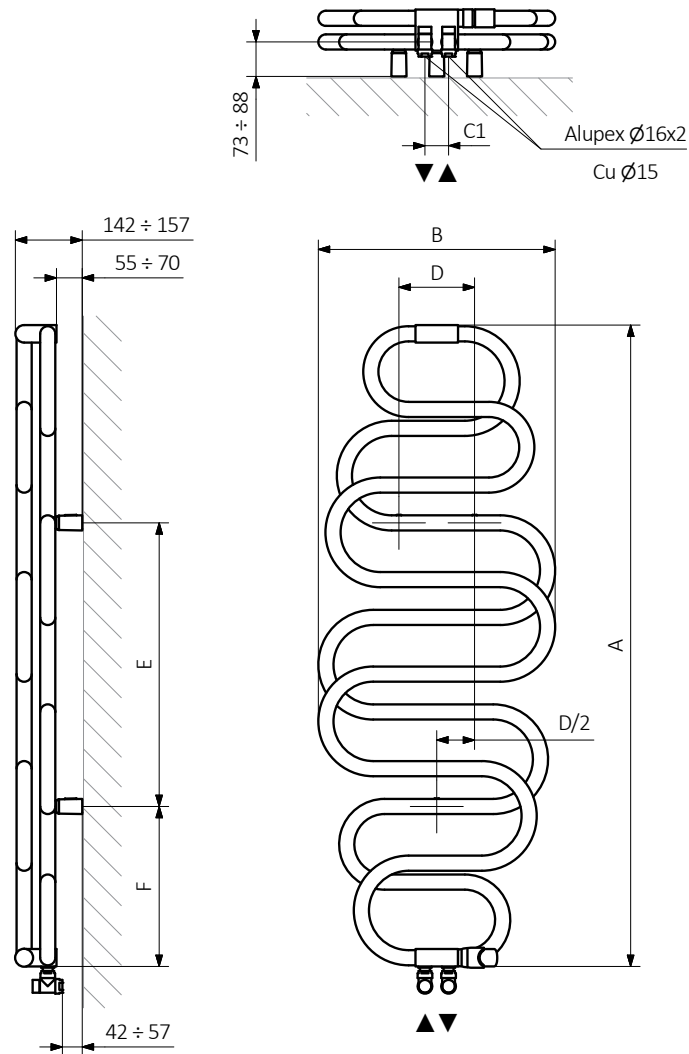
| A ↓ | B ↔ | C1 [mm] | 75/65/20°C [W] | 55/45/20°C [W] | D [mm] | E [mm] | F [mm] | H [dm³] | Weight [kg] | Product Code Configuration codes: 4 |
|------------------------|--------|------------|-------------------|-------------------|-----------|-----------|-----------|------------|----------------|---|
| Powder coating | | | | | | | | | | |
| 960 | 500 | 50 | 337 | 172 | 200 | 360 | 180 | 3,16 | 11,80 | WGPER096050 |
| 960 | 600 | 50 | 371 | 189 | 230 | 360 | 180 | 3,47 | 12,50 | WGPER096060 |
| 1360 | 500 | 50 | 478 | 244 | 160 | 600 | 340 | 4,41 | 13,17 | WGPER136050 |
| 1360 | 600 | 50 | 528 | 269 | 220 | 600 | 340 | 4,88 | 14,29 | WGPER136060 |
| 1760 | 500 | 50 | 630 | 321 | 200 | 600 | 540 | 5,75 | 16,40 | WGPER176050 |
| 1760 | 600 | 50 | 704 | 359 | 290 | 600 | 540 | 6,45 | 18,09 | WGPER176060 |
| Plated finishes | | | | | | | | | | |
| 960 | 500 | 50 | 229 | 117 | 200 | 360 | 180 | 3,16 | 11,80 | WGPER096050 |
| 960 | 600 | 50 | 252 | 129 | 230 | 360 | 180 | 3,47 | 12,50 | WGPER096060 |
| 1360 | 500 | 50 | 325 | 166 | 160 | 600 | 340 | 4,41 | 13,17 | WGPER136050 |
| 1360 | 600 | 50 | 359 | 183 | 220 | 600 | 340 | 4,88 | 14,29 | WGPER136060 |
| 1760 | 500 | 50 | 419 | 214 | 200 | 600 | 540 | 5,75 | 16,40 | WGPER176050 |
| 1760 | 600 | 50 | 488 | 249 | 290 | 600 | 540 | 6,45 | 18,09 | WGPER176060 |

Included components: Radiator (water version) sold with two angled lockshield valves with external thread (white and silver for corresponding colours and chrome for all others) Included is the NOBLE thermostatic head (white and silver for corresponding colours and chrome for all others), Alupex and Copper pipe adapters are included.



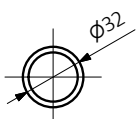
Colour included
in the price

ZX



A — Height B — Width C1-C5 — Distance between pipe centres D — Horizontal distance between mounting bracket centres
E — Vertical distance between mounting brackets F — Distance between a mounting bracket and the bottom of the radiator

Profile:





Colour included
in the price

Product codes can be found in product data sheet tables. The codes provide some basic information about the product while a partially filled configuration code contains complementary information about the detailed specifications. When placing an order, product codes should include the fully completed configuration part. The configuration code part should be placed after the main product code. The main product code and configuration part will appear as shown in the example below:

The construction of a water radiator product and configuration code:

WGALE054030

K916SX

PRODUCT CODE
(located in the table for the product)

CONFIGURATION CODE
(supplemented by hand)

Configuration

K 916 SX

Package code Colour code Connection code
K – carton box

Zinc powder primer

C – Code of zinc powder primer is an extra processes

WLALE054030 K916SX **C** — *Extra processes or additions code*



Colour included
in the price

Legend



Available in chrome finish.



Radiator available in a “water” version.



Radiator suitable for dual fuel connection. Electric heating element can be installed.



Radiator available in electric only version. It comes prefilled with a ‘heating medium’ and equipped with a heating element. All tested and ready to use.



Connection types dedicated for this radiator.
The icon shows the flow and return connections for the radiator as well as the thermo-
static valve and heating element position if applicable.



Optional connections available for this radiator.



Suggested heating element power output for electric and dual fuel versions.



Weight.



Capacity.